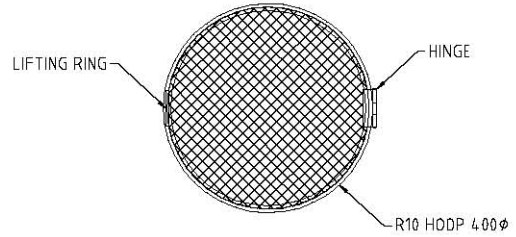
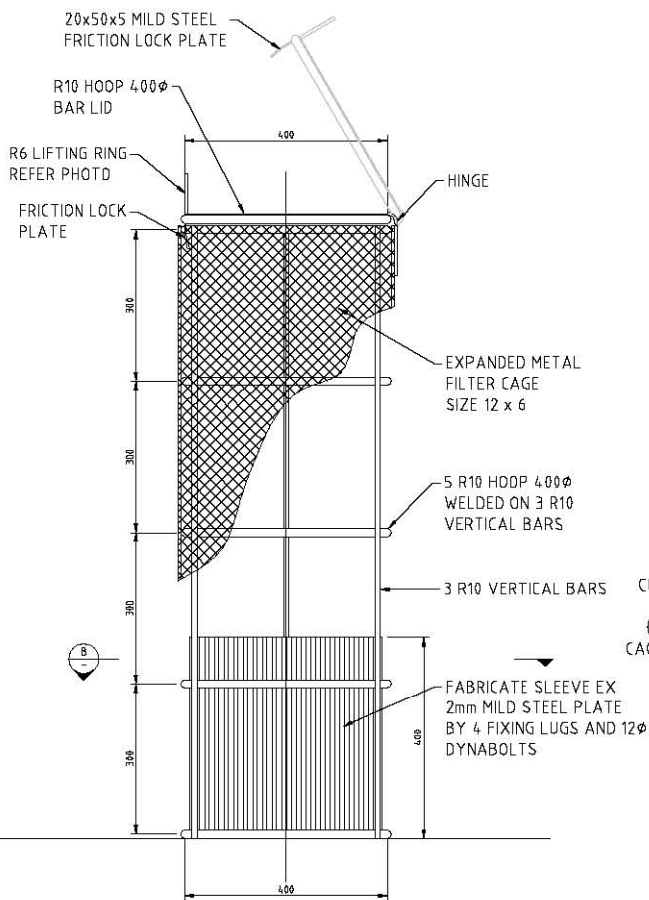


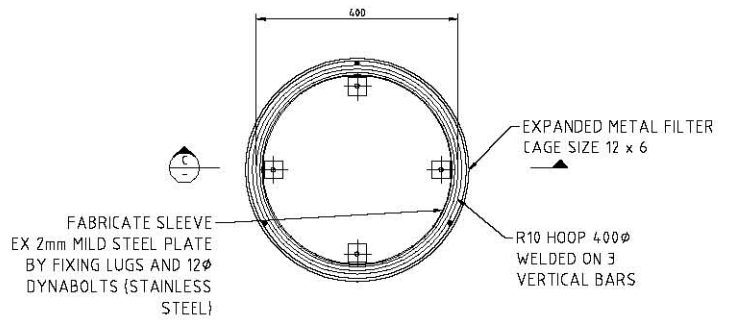
LID 3D VIEW



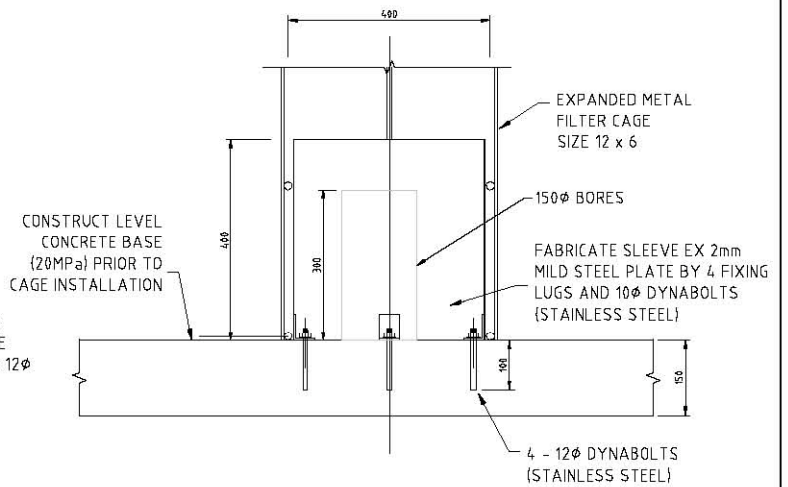
LID



ELEVATION



SECTION B
SCALE 1:15



SECTION C
SCALE 1:15

NOTE:
HOT DIP GALVANISED WHOLE CAGE AND SLEEVE AFTER FABRICATION.
(APPROXIMATE WEIGHT OF WHOLE CAGE 16 TO 18kg)

DETAIL 1 FILTER CAGE DETAIL
SCALE 1:15

Prepared by : GHD



AUCKLAND CITY
Transport

**SOAKHOLE FILTER CAGE
DETAILS**

SCALE : AS SHOWN

DRAWN : JWF

ISSUE DATE : 1/2010

APPROVED :

PLAN No. ISSUE C

2008/0510