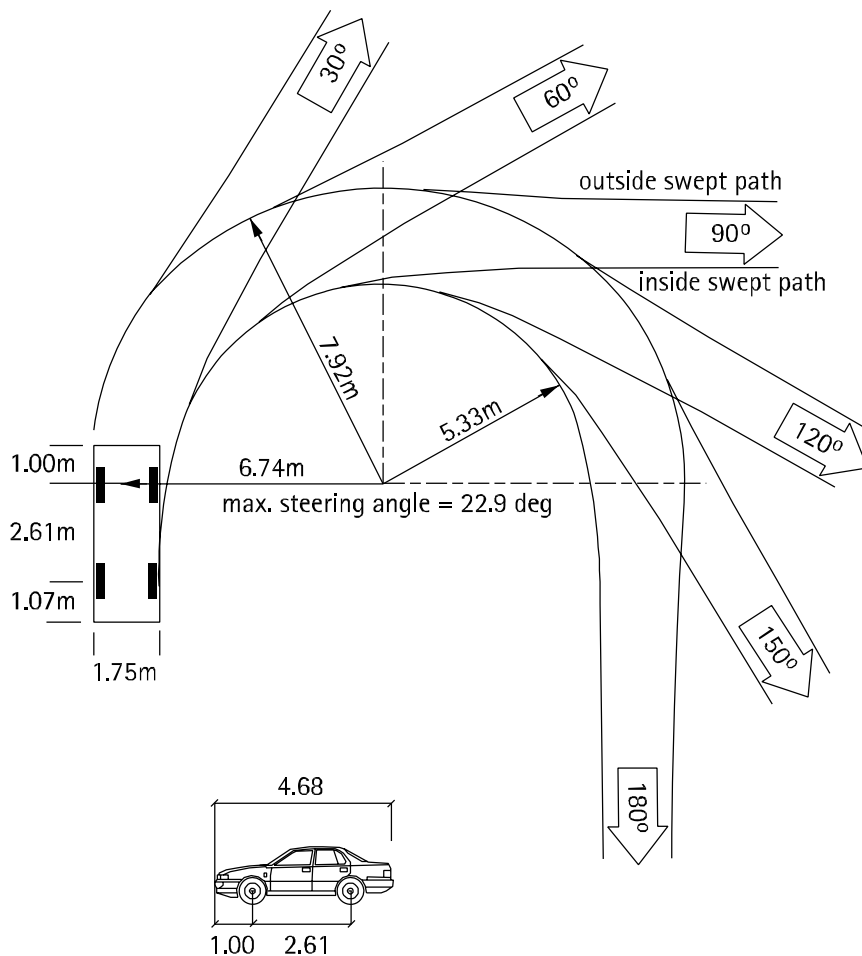
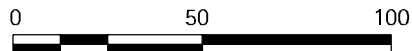


Figure 13.4 90 percentile car tracking curves



90 car	metres
Width	1.75
Track	1.75
Lock to lock time	6.00
Steering angle	22.80



Scale = 1: 200