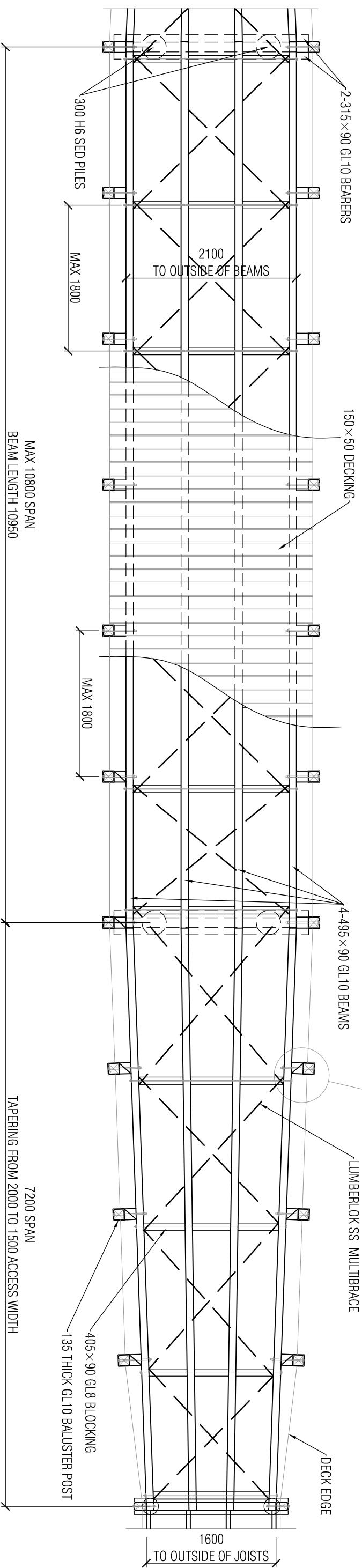


DO NOT SCALE

Rev Date Amendment

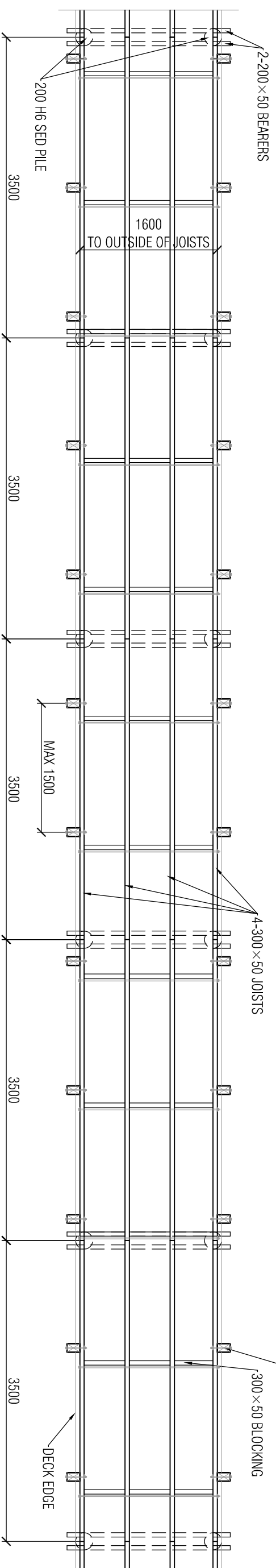
TL

TR



03 BRIDGE PLAN
SHT - 1:50 @ A3

DO NOT SCALE



04 BOARDWALK PLAN
SHT - 1:50 @ A3

Frame Group Limited
FRAME GROUP
PO BOX 147211, PONSONBY, AUCKLAND 1144
LEVEL 2, 16 COLLEGE HILL, AUCKLAND, NZ
PHONE: 09 638 7221 FAX: 09 376 0513

PREPARED FOR
AUCKLAND City Council

PROJECT
AUCKLAND CITY COUNCIL
ORAKEI BASIN STAGE 2 WALKWAY

BRIDGE AND BOARDWALK PLAN

SCALE	DATE
AS SHOWN	JULY 2010
DRAWN	FIG. JOB
JR	09/07/02
APPROVED	DRAWING
	03
	REV