

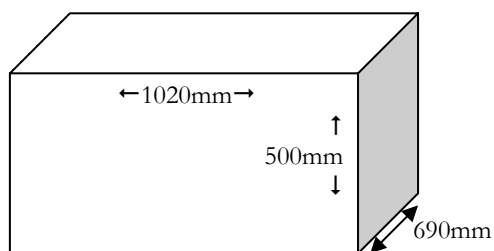
## Sculpture Studio

### Kilns

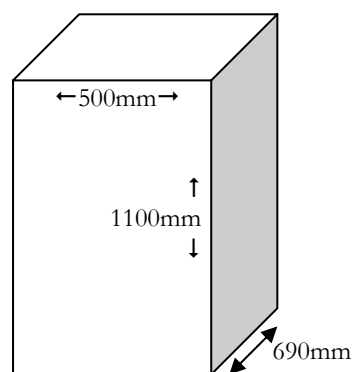
#### SCHEDULE OF HIRE AND CONDITIONS OF USE

Artstation has two electric kilns.

Top Loading A McGregors  
kiln with EMC880 Controller



Front Loading Electric Furnace  
Co. kiln with EMC880 Controller



Kilns may be hired when not in use for Artstation class firings.

#### **COST:**

\$80 per firing

Firing must be complete within 5 days.

The cost includes 1-hour use of studio for preparation prior to loading.

## CONDITIONS OF USE

There are two pre-set programmes specifically for glass firings in both kilns.  
Any adjustment to the programmes must be approved by Artstation.  
Kilns can not be programmed to go above 1050°.

### The Hirer

- must sign the hire agreement and pay hire fee before loading kiln.
- is responsible for ensuring moulds are of acceptable standard.
- is responsible for loading and un-loading of kiln.
- must advise Artstation of any damage to the kiln e.g. spilt glass.
- should be familiar with the kiln firing programme - Artstation staff are not available for monitoring temperatures of the kiln.
- is responsible to put right any damage to the kiln and kiln furniture sustained during their hire period.

### Artstation

- Artstation class firings have priority in the kiln-firing schedule.
- Artstation cannot guarantee a scheduled firing. If delays occur, Artstation class firings have priority over any other bookings.
- Artstation accepts no liability or responsibility for misfiring or kiln malfunction including power failure to the kiln.
- Artstation staff are not available to monitor kiln temperatures whilst a firing is underway.

#### **Hire Agreement**

I (the undersigned) have read, understand and accept the conditions of use for Kiln hire.

Name

Signed

Date of Hire

Paid

Receipt#